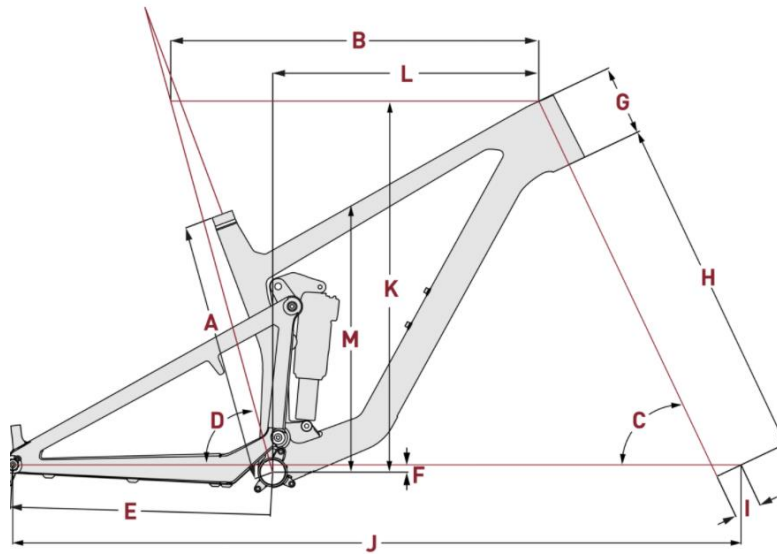


SAM² 6.7



GEOMETRY

	S	M	L	XL
SIZE	41	42	45	49
SIZE (MM)	410	420	450	490
HANDLEBAR WIDTH	800	800	800	800
STEM LENGTH (MM)	50	50	50	50
CRANKARM LENGTH	165	165	165	165
A SEAT TUBE LENGTH (MM)	125	150	170	170
B EFFECTIVE TOP TUBE (MM)	587	608	642	676
C HEAD TUBE ANGLE (°)	65	65	65	65
D EFFECTIVE SEAT TUBE ANGLE (°)	76	76	76	76
E CHAINSTAY LENGTH (MM)	450	450	450	450
F BOTTOM BRACKET DROP (MM)	20	20	20	20
G HEAD TUBE LENGTH (MM)	110	115	130	150
H FORK CONSTRUCTION HEIGHT (MM)	581	581	581	581
I PRE-RAKED FORK (MM)	46	46	46	46
J WHEELBASE LENGTH (MM)	1215	1236	1273	1311
K STACK (MM)	629	634	648	666
L REACH (MM)	430	450	480	510